



# Maths Accelerator Centre

1 Marine Parade Central, #12-03, Parkway Centre, S 449408

Tel/SMS/Whatsapp : 87257203 Email : maths.accelerator.centre@gmail.com

## **P5 & P6 Problem Sums Mini Course**

### **Term 1 Lesson 2**

1. Strategy : Completing The Unit
2. Trending Problem Sums

---

**Learn Techniques  
To Solve Problem Sums  
With High Accuracy**

**Book Your  
Free Trial Now**

**8725-7203**

**Or Click**

<https://www.parkwaymath.com/>

Strategy 1: Completing The Unit

1. Simon has 3 times as many marbles as Tony. Wesley has 30 marbles less than Tony. The 3 boys have a total of 520 marbles.  
How many marbles does Wesley have?

2. Salim has a total of 512 pens. He has 4 times as many black pens as blue pens. There are 28 fewer red pens than blue pens.  
How many red pens does Salim have?

3. Joel has thrice as much money as Annie. Linda has \$60 less than Annie.

The 3 children have \$490 altogether. (CHIJ/CA1/2021/2/13)

(a) How much money does Linda have?

(b) How much money must Joel give Linda such that they will both have the same amount of money?

Trending Questions

1. Lisa spent 5 days folding paper cranes for her friends. Every day, she managed to fold 2 more paper cranes than the day before. She folded 35 paper cranes altogether. How many paper cranes did she fold on the third day?

P5/MRS/CA1

2. Raju used  $\frac{4}{9}$  of his money to buy some shirts and  $\frac{2}{5}$  of the remainder to buy 2 pairs of pants. A pair of pants cost 3 times as much as a shirt.
- (a) How many shirts did he buy?
- (b) Raju had \$252 left. How much did each shirt cost?

P5/MRS/CA1

3.  $\frac{3}{16}$  of the bottled water in a shop were sold on Monday.

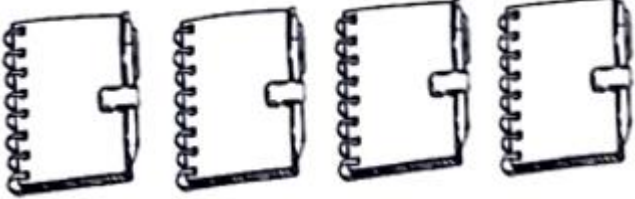

12 fewer bottles of water were sold on Tuesday than on Monday.

16 fewer bottles of water were sold on Wednesday than on Tuesday.

The number of bottles of water left in the supermarket was  $\frac{1}{2}$  the number of bottles there was at first. How many bottles of water were there in the shop at first?

P6/MBS/22

4. Xavier bought some notebooks and water bottles at the prices shown below.

	
Notebook : 4 for \$ 16	Water Bottle : 3 for \$8

- a. Xavier bought an equal number of notebooks and water bottles. He spent \$ 96 more on notebooks than water bottles. How many notebooks did he buy?
- b. Zaki spent an equal amount of money on notebooks and water bottles. What fraction of the items he bought were notebooks?

P6/Springdale/23